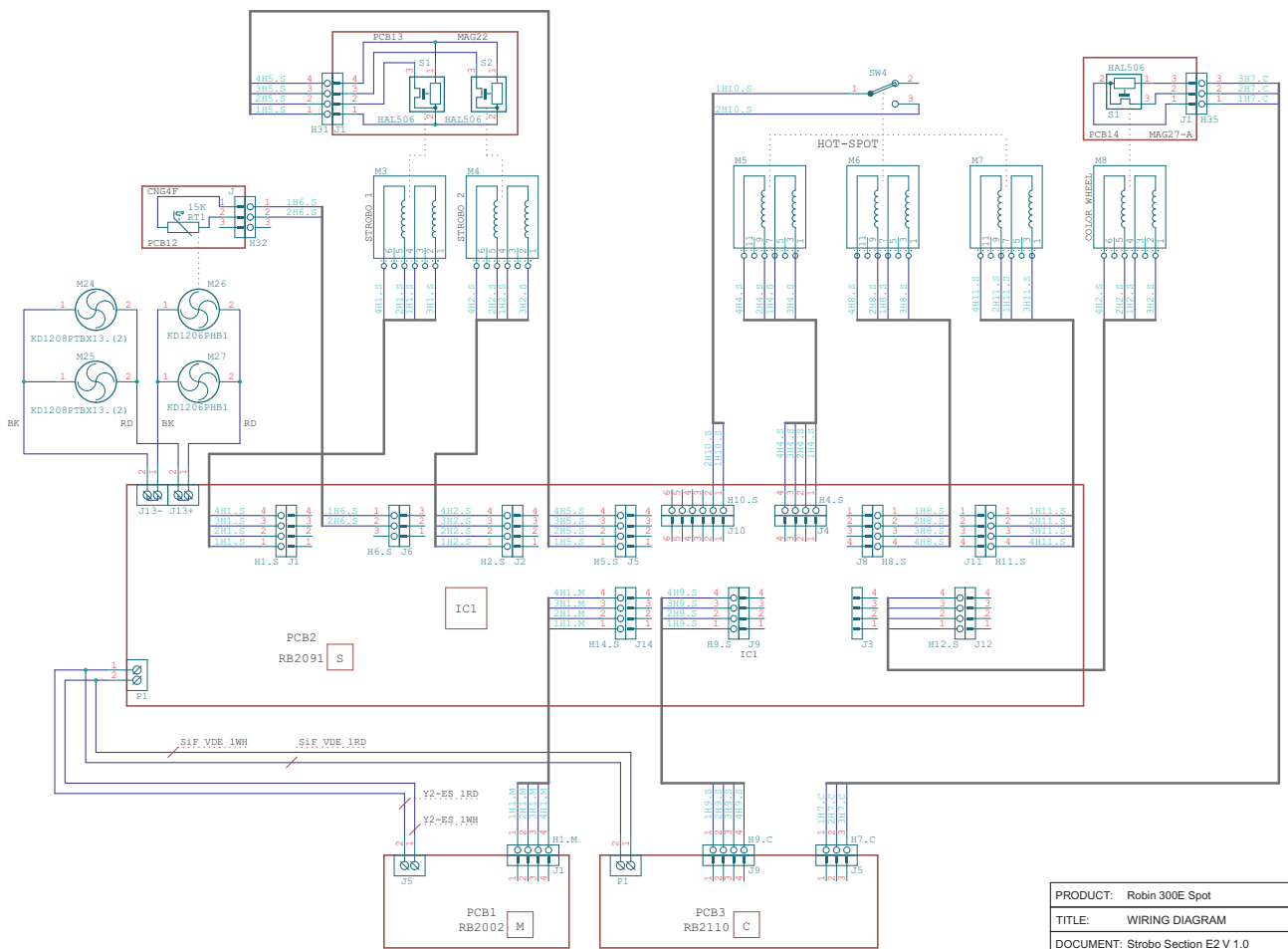
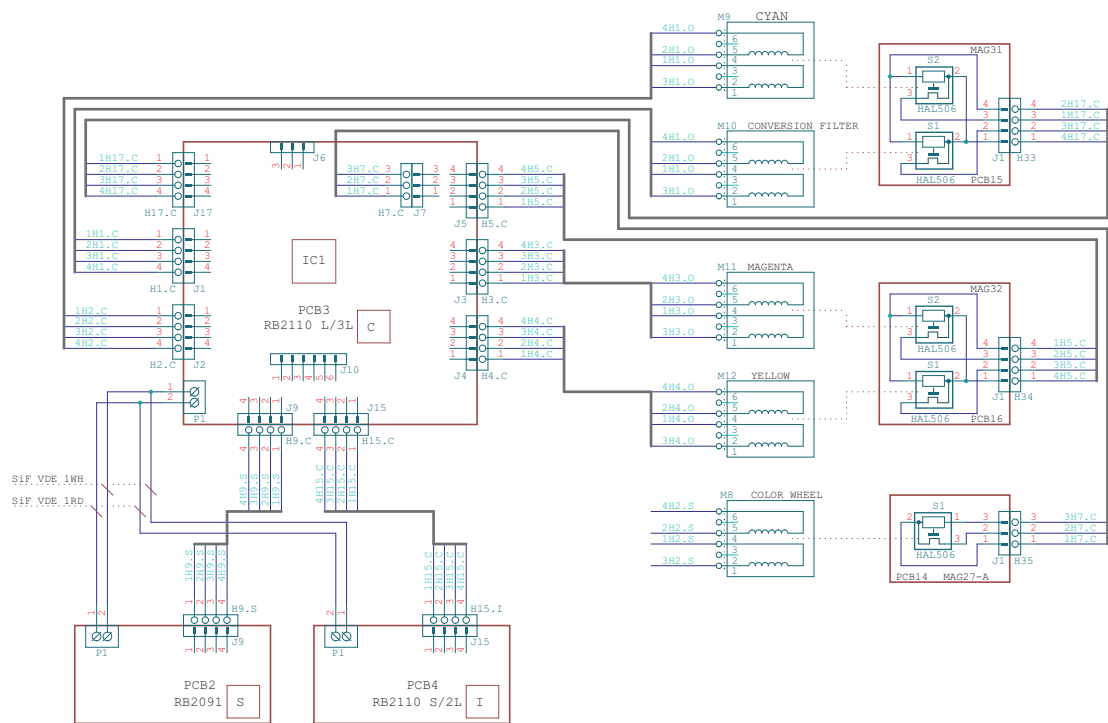


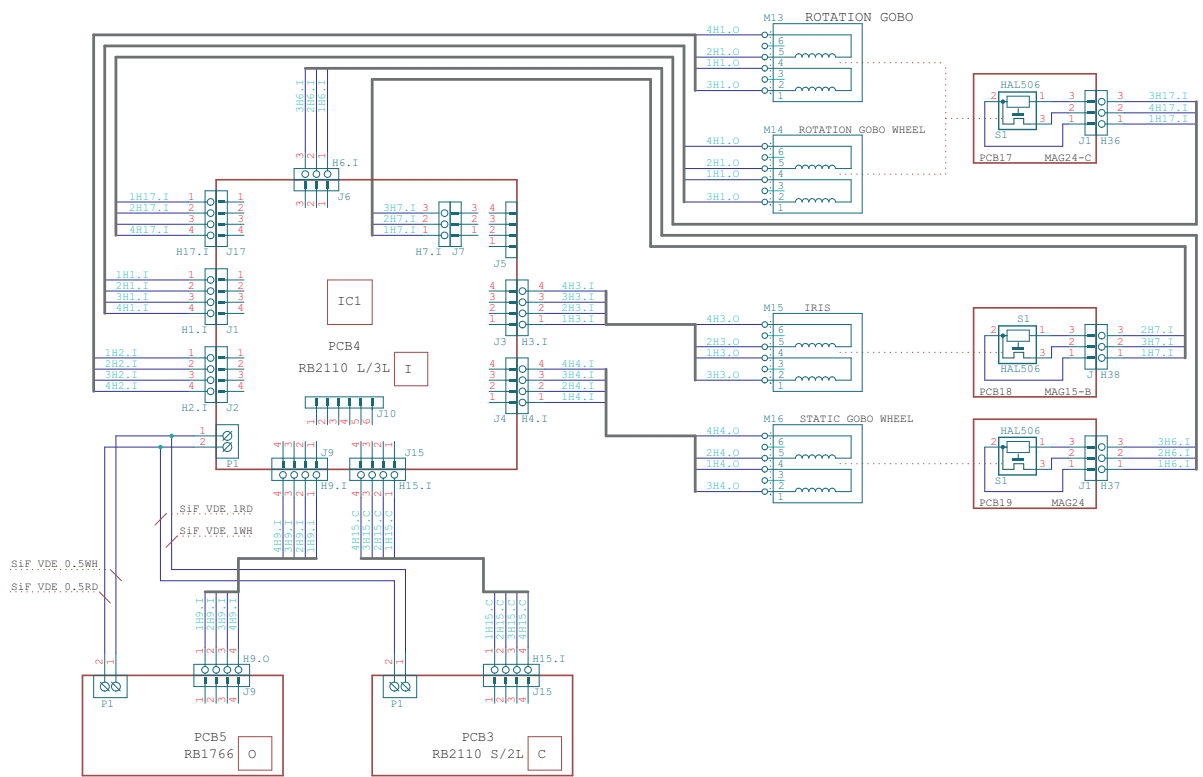
PRODUCT: Robin 300E Spot		
TITLE: WIRING DIAGRAM		
DOCUMENT: Basic Section E1 V 1.0		
VERSION: 1	DATE: 8.12.2009	SHEET: 1 OF 9



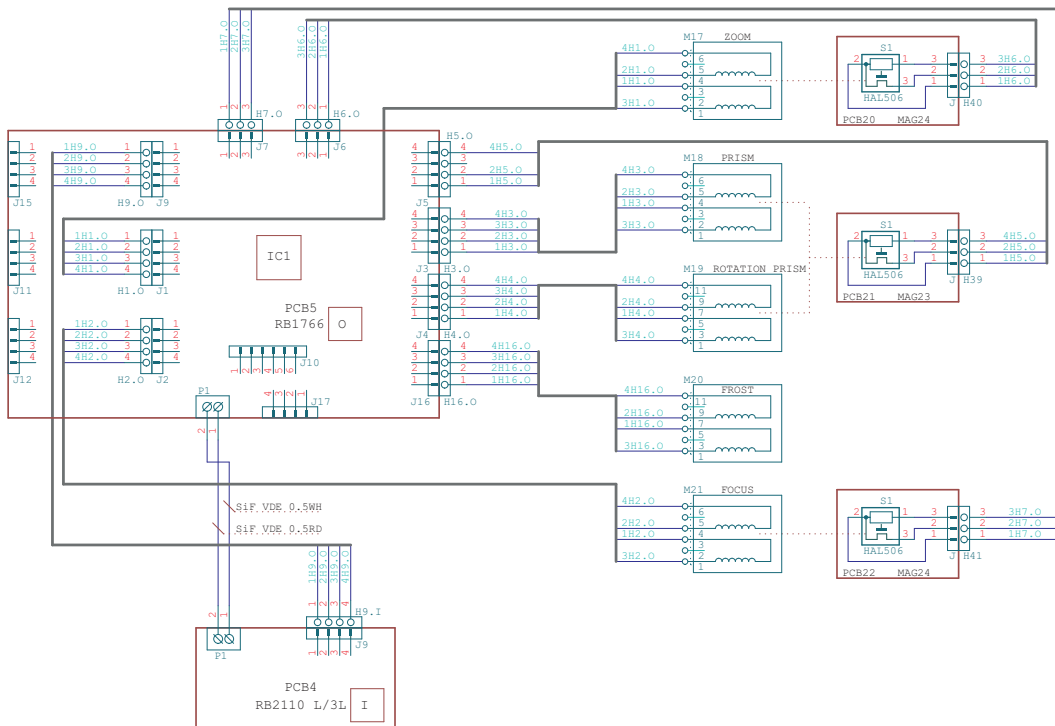
PRODUCT: Robin 300E Spot		
TITLE: WIRING DIAGRAM		
DOCUMENT: Strobe Section E2 V 1.0		
VERSION: 1	DATE: 8.12.2009	SHEET: 2 OF 9



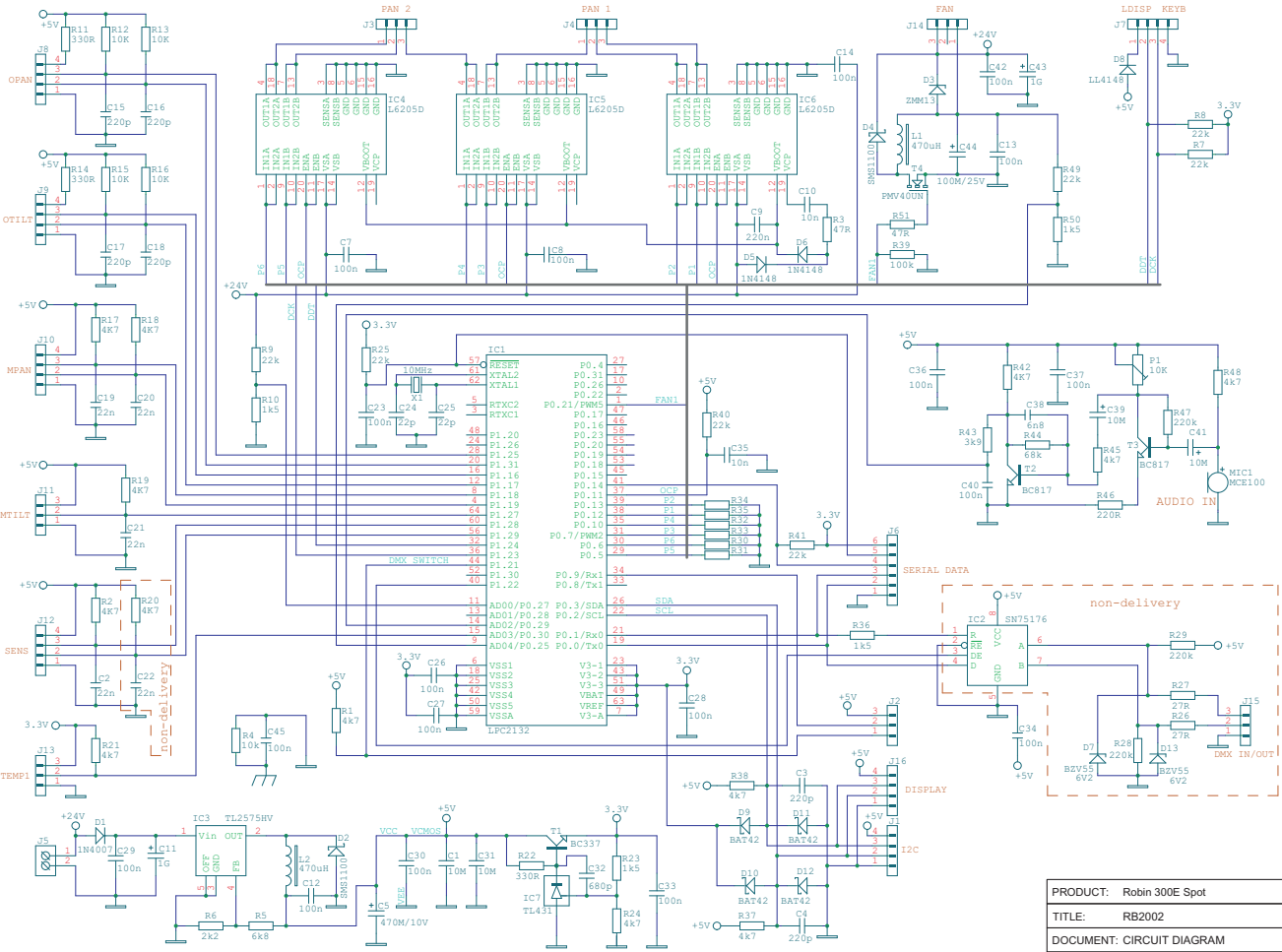
PRODUCT: Robin 300E Spot		
TITLE: WIRING DIAGRAM		
DOCUMENT: Color Section E3 V 1.0		
VERSION: 1	DATE: 8.12.2009	SHEET: 3 OF 9



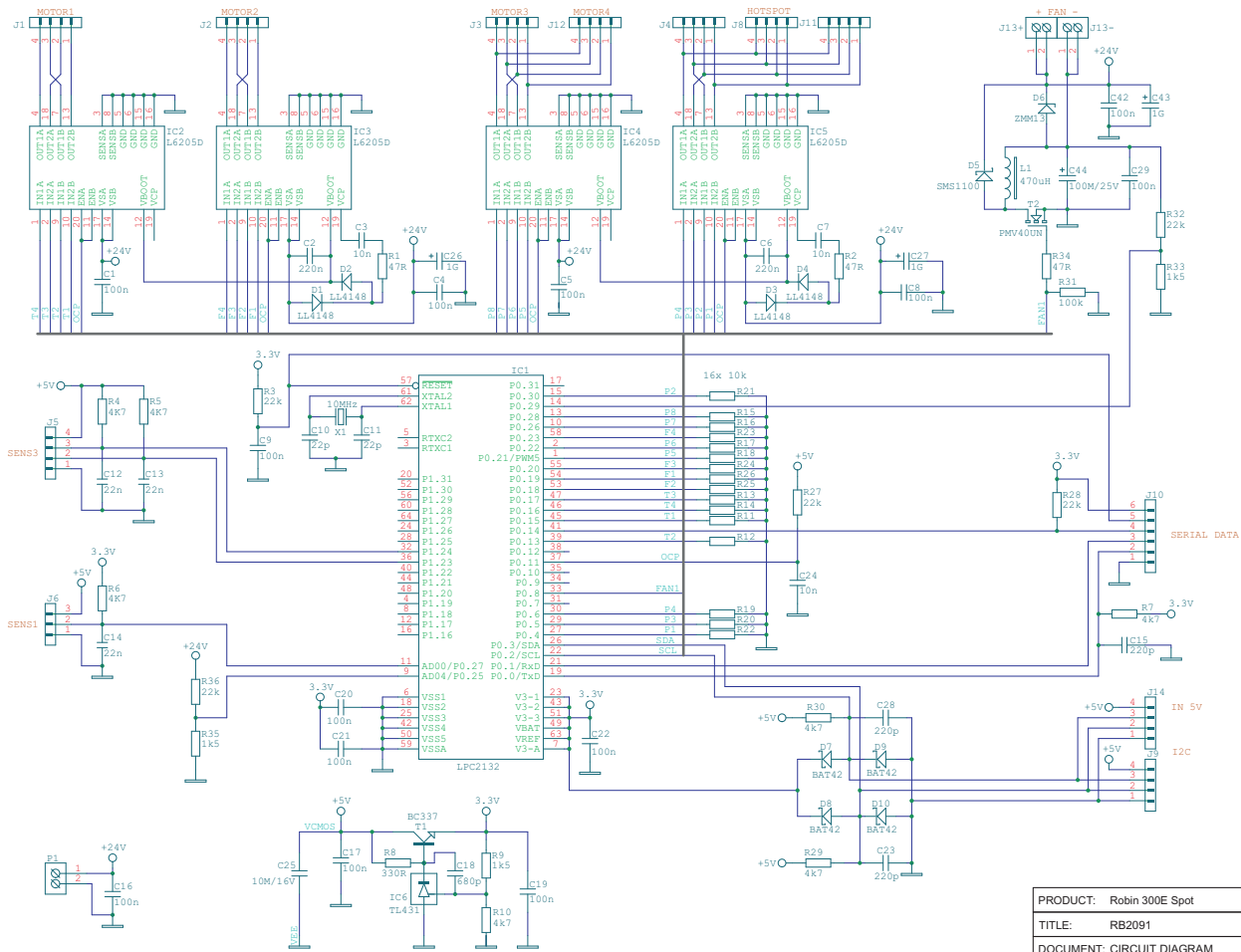
PRODUCT: Robin 300E Spot		
TITLE: WIRING DIAGRAM		
DOCUMENT: Iris Section E4 V 1.0		
VERSION: 1	DATE: 8.12.2009	SHEET: 4 OF 9



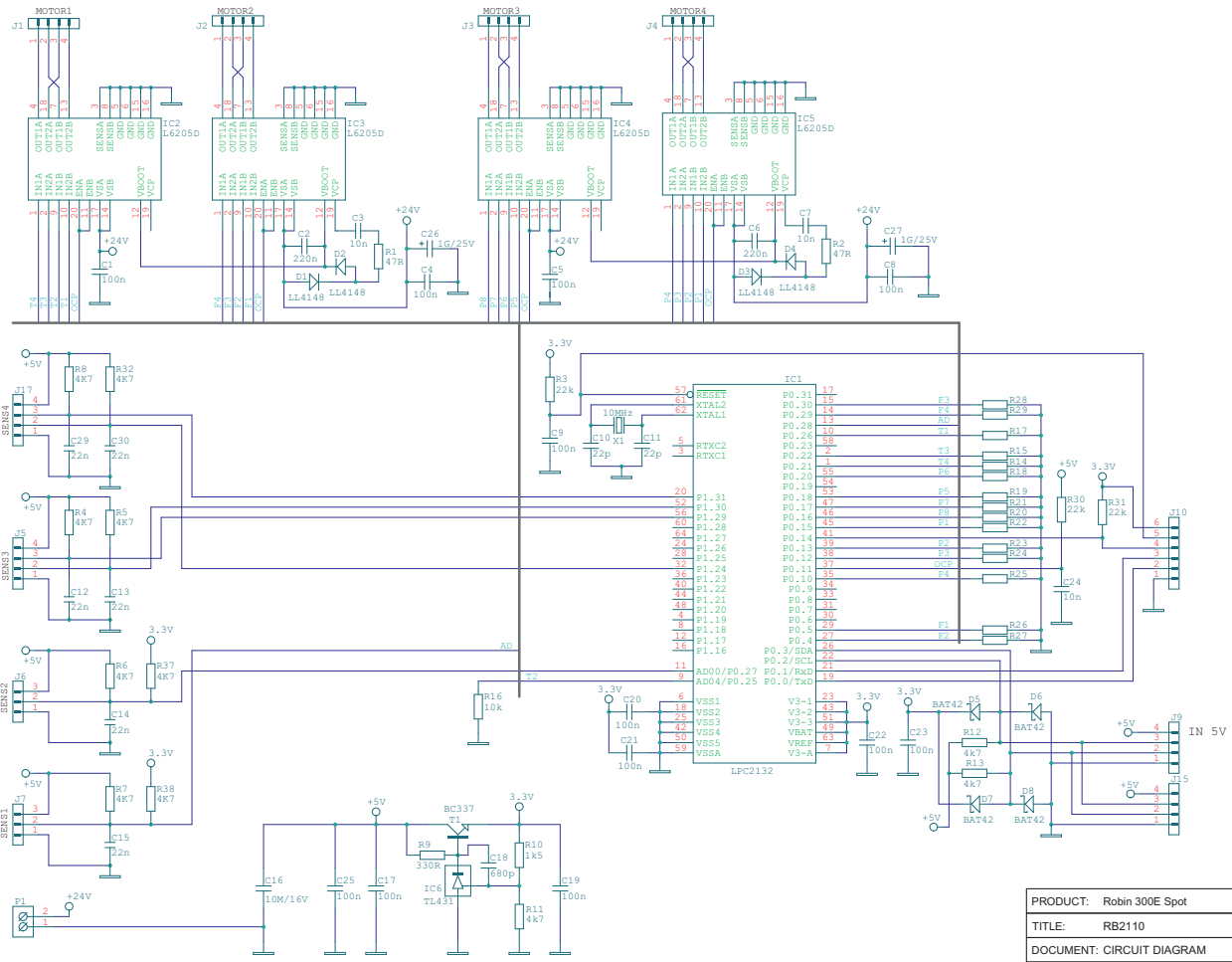
PRODUCT: Robin 300E Spot		
TITLE: WIRING DIAGRAM		
DOCUMENT: Optic Section E5 V 1.0		
VERSION: 1	DATE: 8.12.2009	SHEET: 5 OF 9



PRODUCT:	Robyn 300E Spot
TITLE:	RB2002
DOCUMENT:	CIRCUIT DIAGRAM
VERSION:	1
DATE:	8.12.2009
SHEET:	6 OF 9

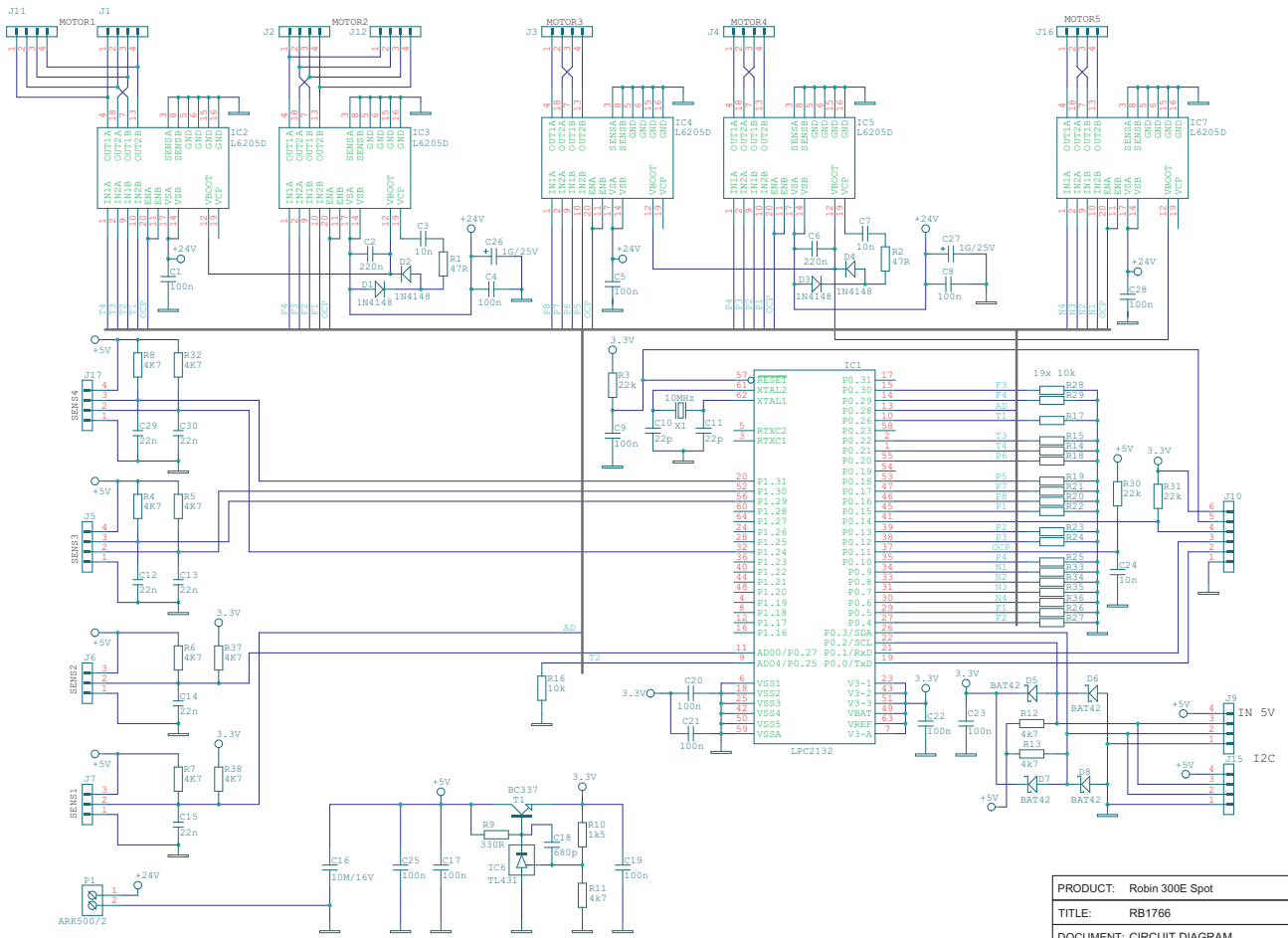


PRODUCT:	RobIn 300E Spot		
TITLE:	RB2091		
DOCUMENT:	CIRCUIT DIAGRAM		
VERSION:	1	DATE:	8.12.2009
		SHEET:	7 OF 9



PRODUCT: RobIn 300E Spot		
TITLE: RB2110		
DOCUMENT: CIRCUIT DIAGRAM		
VERSION: 1	DATE: 8.12.2009	SHEET: 8 OF 9





PRODUCT: RobIn 300E Spot		
TITLE: RB1786		
DOCUMENT: CIRCUIT DIAGRAM		
VERSION: 1	DATE: 8.12.2009	SHEET: 9 OF 9